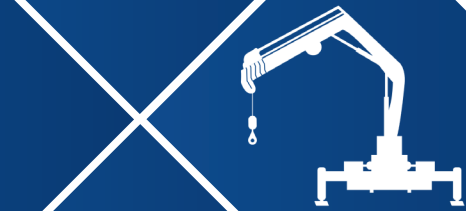




# TITAN Accessories

for knuckle boom cranes



# ROTZLER – a 100-Year Success Story

## ROTZLER – synonymous for groundbreaking winch technology

For 100 years, ROTZLER has stood for groundbreaking hoisting and pulling winch technology that customers can rely on even under the most difficult conditions. To keep this promise, our developers and engineers test the reliability of our products, in our unique test center in Steinen, Germany. Operators from around the world rely on ROTZLER's winches and individual system solutions when dependability is crucial, whether for recovery and rescue services, the construction industry, defense technology, the marine industry, or drilling equipment.

## Leader in innovation: our mission for over 100 years

In 1919, Ernst Rotzler started a smithy in Steinen that shod horses and repaired agricultural machinery. From the very start, our company founder listened closely to his clients – and developed to meet their requirements. He optimized their hay elevators and manure cranes and shifted his focus to developing and manufacturing reliable rope winch technology.

Our motivation comes from the desire to optimally satisfy customer needs, and that continues to be the inspiration for our leading technology.

## Winches and system solutions

Today, ROTZLER is a leader in hydraulic winches and system solutions for mobile applications. As an independent, owner-managed company, we stand for the values that are typical of the small business sector. Customer care, reliability, trustworthiness, and an innovative spirit.





# The ROTZLER TITAN

## Powerful, compact

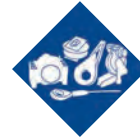
The ROTZLER TITAN hoisting winches have stood for exceptional performance for over two decades. It is the perfect solution for loading cranes, in mobile and marine applications.



The TITAN is equipped with a hydraulic motor, developed by ROTZLER especially for lifting applications. The perfectly working planetary gear of the TITAN impresses with its precision in tothing and bearings, thus ensuring optimal power transmission. The interaction of motor and gear guarantees a very high level of efficiency over the entire service life of the winch and supports smooth operation.

The winch's hydraulic brake is separated from the drive train by a freewheel. The brake is closed when lifting loads, thus preventing loads from sagging when starting to hoist. This enables extremely precise positioning of the loads. The brake is released when the load is lowered. The counterbalance valve integrated in the motor ensures controlled lowering of the load. All that is making the TITAN the powerful and reliable work horse.

The sophisticated yet compact design of our TITAN hoisting winches is ideal for knuckle boom cranes. They fit perfectly under the articulated arm of the knuckle boom crane without any interfering edges. This winch concept offers ultimate precision, particularly when positioning loads. Some of our customers in the construction sector even use the TITAN for installing sensitive glass elements.



# Accessories for **ROTZLER TITAN**

ROTZLER offers a portfolio of accessories specially tailored to the TITAN hoist winches for use on knuckle boom cranes. ROTZLER thus offers everything you need for winch operation on the knuckle boom cranes.

Regardless of single line or double line operation, ROTZLER offers the full set of accessories for our TITAN range. For single line operation, top rollers, hook weights, hooks and ropes are available. In addition to that, to allow double line hoisting, hook weights with snatch blocks and related hooks are available as well.



## **Top roller**

To deflect the rope at the crane tip, we offer appropriate top rollers for each winch size. They are equipped with a stop that prevents the wire rope from being pulled in too far. This stop can also be used in conjunction with the MCD system to switch off the winch in the “rope in” direction.



## **Hook weight**

The modular hook weights from ROTZLER not only improve the rope winding of the winch, but also ensure improved stability when working without a load.



## Hook weight with snatch block

The modular hook weights with snatch block allow double line operations and can easily be rebuilt to an hook weight for single line operation. They not only improve the rope winding of the winch, but also ensure improved stability when working without a load. They allow easy connection of hook weight with rope and the swivel hook.



## Swivel hook

A corresponding swivel hook is available for every TITAN size, which completes the accessories perfectly matched to the lifting force of the winch. All from a single source. ROTZLER is offering hooks with slide bearing as a standard. Hooks with roller bearings are available for optimizing ease of use.

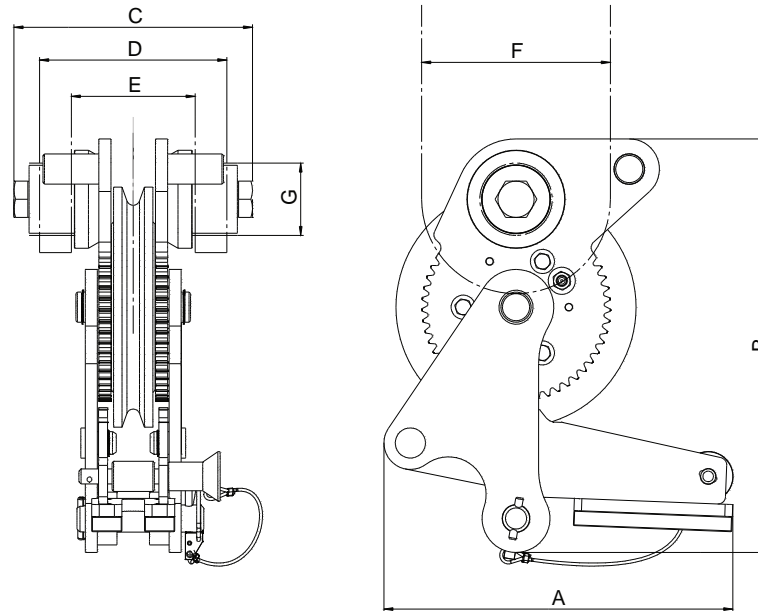


## Rope

For each winch, we offer different wire ropes that meet the current standards. These ropes are rotation resistant. Other rope lengths are available upon request.



# Top roller

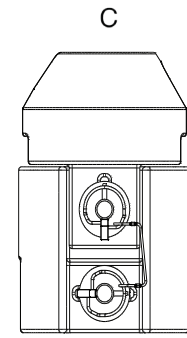
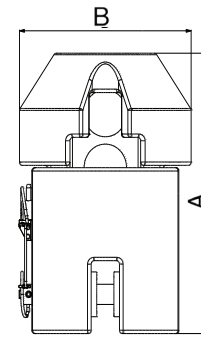


	TI 1		TI 2		TI 4/5	
line hoisting	single	double	single	double	single	double
$F_{max.}$ [kN]	15	30	29	58	55	110
weight [kg] approx.	10,0		12,5		30,0	
dimension A [mm]	235		310		390	
dimension B [mm]	275		355		445	
dimension C [mm]	160		160		160	
dimension D* [mm]	124		124		124	
dimension E* [mm]	82		82		82	
dimension F* [mm]	125		125		135	
dimension G* [mm]	46		46		46	

\*dimensions of customer attachment

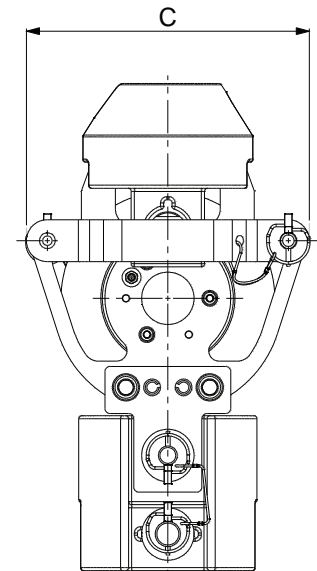
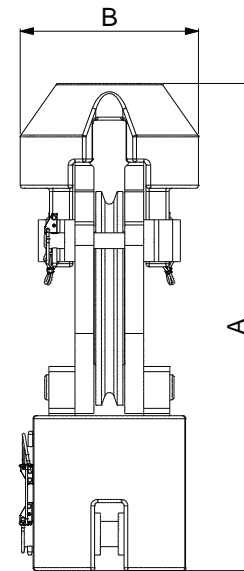
# Hook weight

	TI 1	TI 2	TI 4/5
$F_{max.}$ [kN]	15	29	58
weight [kg] approx.	25	27	50
dimension A [mm]	260	260	410
dimension B [mm]	175	175	215

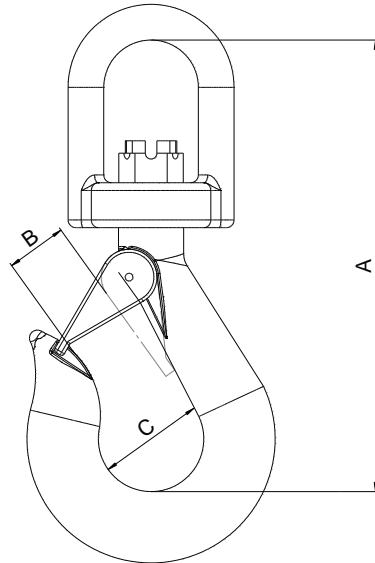


# Hook weight **with snatch block**

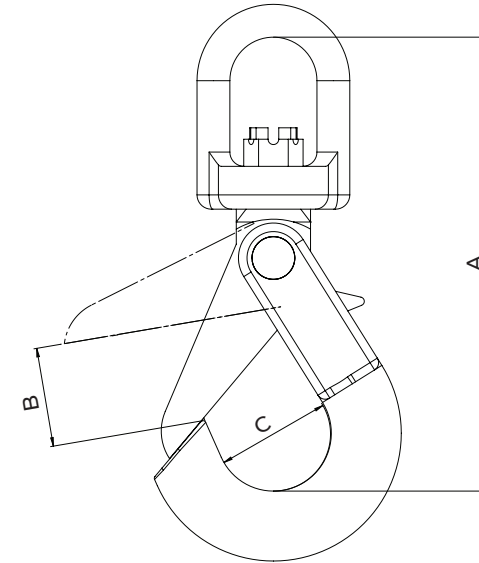
	TI 1	TI 2	TI 4/5
$F_{max.}$ [kN]	30	58	116
weight [kg] approx.	40	42	80
dimension A [mm]	475	475	725
dimension B [mm]	175	175	215
dimension C [mm]	275	275	355



# Swivel hook **slide bearing**



For hooks with WLL\* till 5,3t



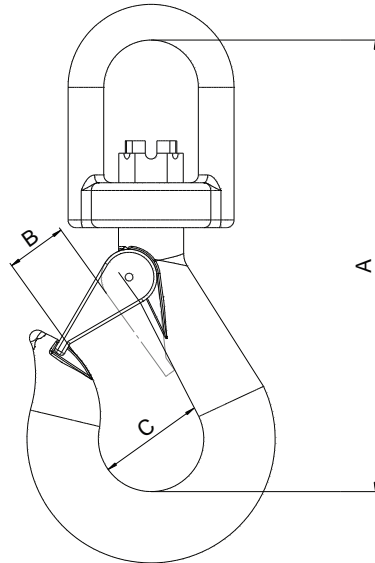
For hooks with WLL\* starting from 8t

	TI 1		TI 2		TI 4		TI 5	
line hoisting	single	double	single	double	single	double	single	double
WLL* [t]	2,0	3,15		5,3		12,5	8,0	12,5
weight [kg] approx.	1,4	2,5		5,7		12,5	7,0	12,5
dimension A [mm]	183	215		288		360	321	360
dimension B [mm]	21	27		35		57	46	57
dimension C [mm]	30	38		49		75	60	75

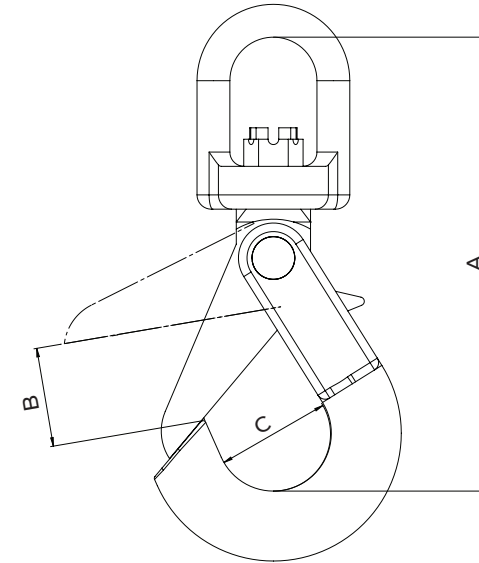
\*working load limit



# Swivel hook **roller bearing**



For hooks with WLL\* till 5,3t

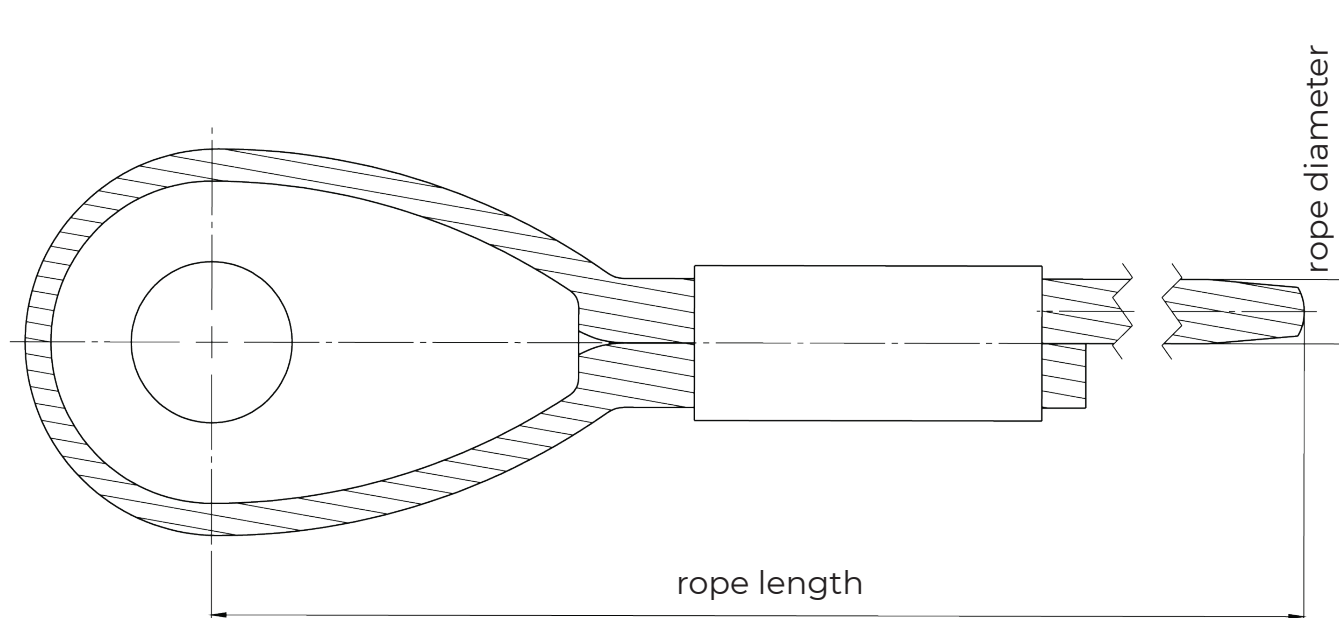


For hooks with WLL\* starting from 8t

	TI 1		TI 2		TI 4		TI 5	
line hoisting	single	double	single	double	single	double	single	double
WLL* [t]	2,0	3,15		5,3		12,5	8,0	12,5
weight [kg] approx.	1,4	2,5		5,7		12,5	7,0	12,5
dimension A [mm]	182	200		288		450	340	450
dimension B [mm]	21	26		34		57	46	57
dimension C [mm]	30	38		49		75	60	75

\*working load limit

# Rope



	TI 1	TI 2	TI 4	TI 5
$F_{\max.}$ [kN]	53,3	95,5	162	197
weight [kg/m] approx.	0,26	0,47	0,81	0,95
rope diameter [mm]	8	10	13	14
rope 1, length [m]	38	49	87	90
rope 2, length [m]	60	62	120*	-

\*for large drum only

# Combinations for single and double line

The following table is giving part number information for the combination of accessories linked to TITAN winch model and single or double line hoisting.

	TI 1		TI 2		TI 4		TI 5	
line hoisting	single	double	single	double	single	double	single	double
top roller	4000006808		4000007707		4000022420			
hook weight	4000010706	-	4000010708	-	4000010714	-	4000010714	-
hook weight with snatch block	-	4000010707		4000010709	-	4000010716	-	4000010716
swivel hook (slide bearing)	0118780000	0118790000		0118800000		0122440000	0119540000	0122440000
swivel hook (roller bearing)	4000013775	4000017088		4000017087		4000008747	4000017055	4000008747
rope 1	2508513038		4000000046		4000018480		4000002346	
rope 2	2508513060		4000021947		4000018481*		-	

\*for large drum only

# The ROTZLER GROUP

## Where to find us

### CANADA

#### ROTZLER Canada Inc.

Unit 122, 7350 - 72 Street  
Delta, B.C. V4G 1H9  
CANADA  
Phone: +1 604 940 7134

### USA

#### ROTZLER USA Inc.

1475 Ave S, Suite 301  
Grand Prairie, Texas 75050  
USA  
Phone: +1 604 940 7134

### GERMANY

#### ROTZLER HOLDING GmbH + Co.KG ROTZLER Deutschland GmbH + Co.KG

Robert-Bosch-Strasse 4  
79585 Steinen  
GERMANY  
Phone: +49 7627 701 0

### INDIA

#### ROTZLER India Pvt. Ltd.

Plot No.4, 5th Main, 3rd Phase  
Peenya Industrial Area  
560 058 - Bangalore  
INDIA  
Phone: +91 80 28392599

### KOREA

#### ROTZLER Korea Ltd.

1-110 Changwon Knowledge  
Industrial Center  
316, Ungham-ro, Seongsan-gu  
Changwon, Gyeongnam, 642290  
KOREA  
Phone: +82 55 282 5067